

ORIGINAL

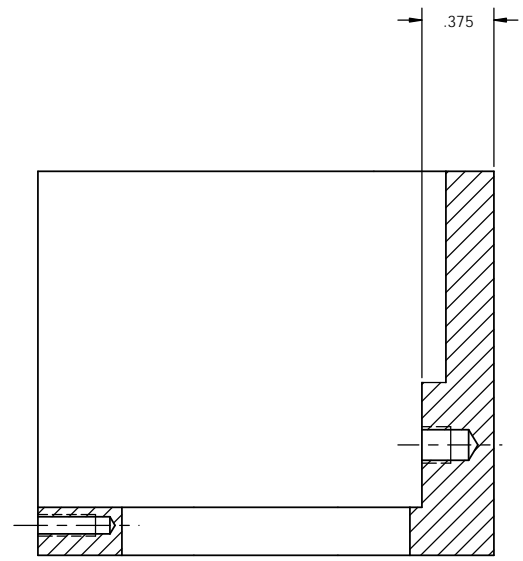
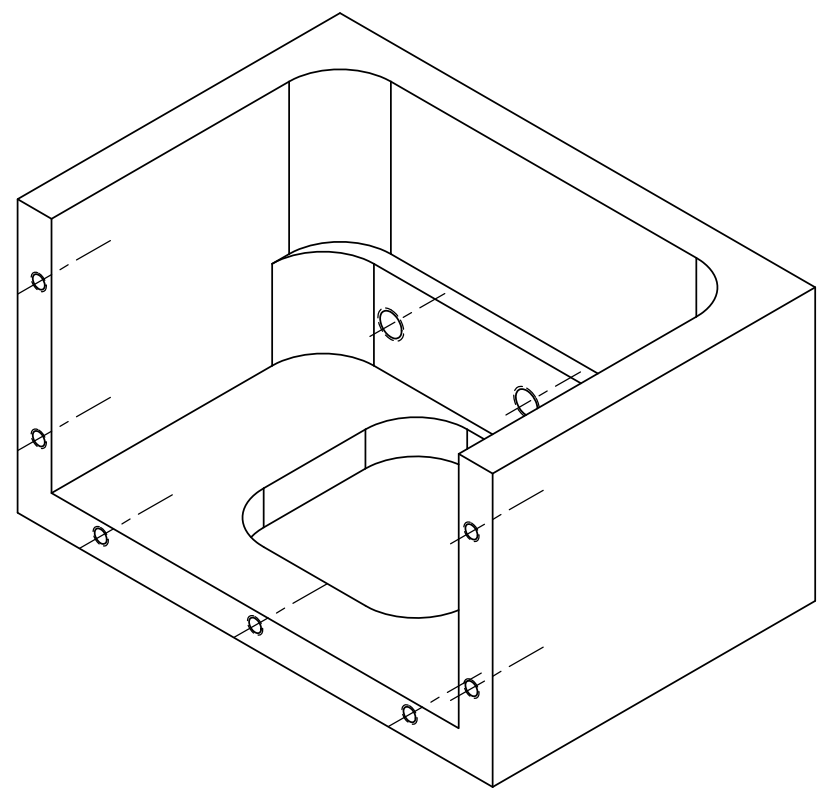
#	DATE	DESCRIPTION OF REVISIONS
1		
2		
3		
4		
5		
6		

APPROVED BY _____ DATE _____

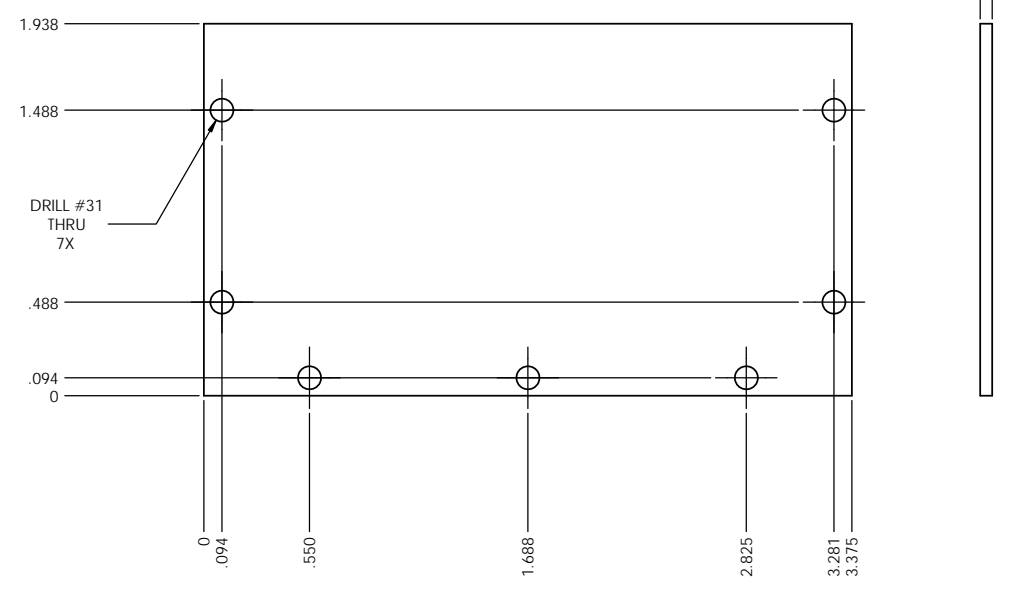
SCALE *AS NOTED* JOB # _____
 DRAWN BY *RLH* DATE *7/15/09*

DRAWING TITLE
JAM AND FLOW ELECTROMAGNET BOX

SHEET NO. / FILE NAME
AL.S2-1-5-2.16



SECTION A-A

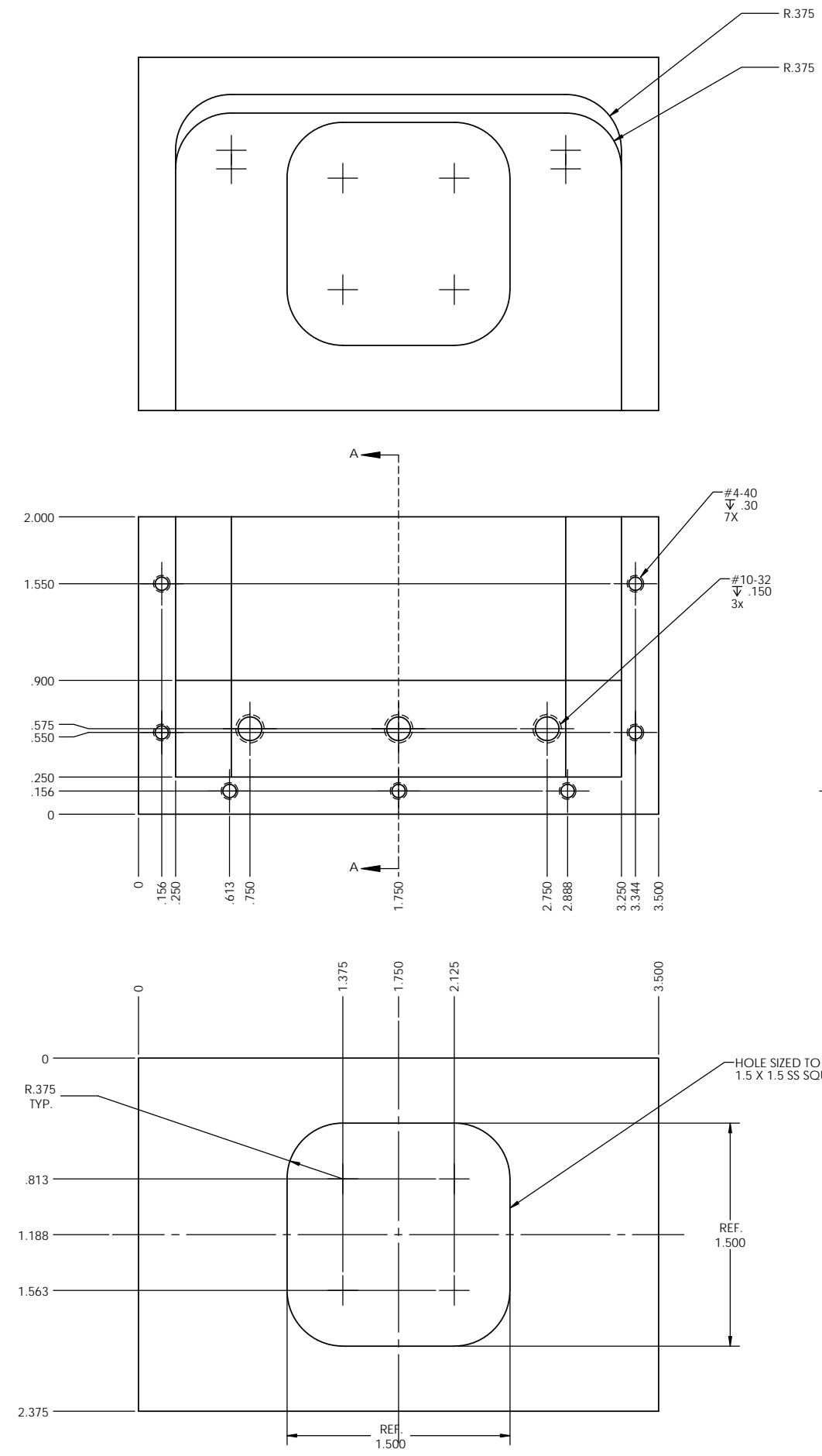


ELECTROMAGNET BOX DOOR, 16 GAUGE SS SHEET METAL

ITEM# 31
 SCALE 2:1

NOTES
 SS SHALL BE BRUSHED NO. 4 FINISH, NATURAL COLOR

UNLESS OTHERWISE NOTED	
DIMENSIONS ARE IN INCHES	DO NOT SCALE DRAWING
TOLERANCES: .XX \pm .030 .XXX \pm .010	INTERPRET GEOMETRIC
FRACTIONAL \pm	TOLERANCE PER:
ANGULAR: MACHINE \pm	BEND \pm
FINISH 63	MATERIAL PER SPEC. SHEETS
FOR CONSTRUCTION	



ELECTROMAGNET BOX, SS

ITEM# 50
 SCALE 2:1