

## THE P-75

### MINI THEATRICAL AND SPECIAL EFFECTS PROJECTOR SYSTEM 2" ARTWORK FORMAT

This miniature theatrical projector has all the versatility of a full size effects projector. It is designed for unlimited creative flexibility in special effects projection. Disk drives and artwork, gobo, or mask holders can be added in any combination with full focusing capability. Small size and remoteable power supply allows projectors to be hidden within sets, exhibits, dioramas.



Create moving images for water-ripple, storm effects, a moon with clouds, comets, cosmic luminous clouds, starry galaxies, smoke from a chimney, a sandstorm, a volcanic eruption, trout swimming by or pelicans flying over head, fire, ghosts and all other images your imagination and skill can bring forth.

For theme parks, museums, zoos, aquariums, science centers, galleries, visitor centers, exhibits, expos, restaurants, themed retail, promotional projects, attractions - any themed environment where dramatic or subtle projected effects help deliver the message or tell the story.

# SPECIFICATIONS

# MODEL: P-75

## SINGLE CENTER DRIVEN 7" DISK OPTION SHOWN

### FEATURES AND BENEFITS

- Low film gate temperature
- High quality extruded aluminum body
- Optional focusable static artwork or mask holders
- Multiple disk drive option, variable speed option, several motor types
- Easy lamp change without disturbing setup
- Remote power supply
- Compact size
- Fan Cooled
- Dimmable



LISTED STAGE LIGHTING UNIT 509F

### LAMP

- EYF MR 16
- 75 Watt, 12 Volt
- 4000 Hour Rated Life

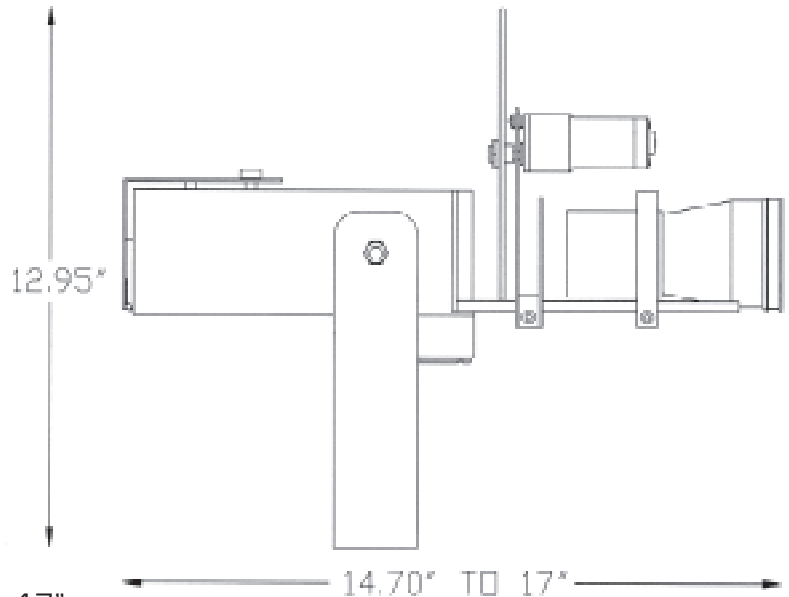


### POWER

- 117 VAC 50/60Hz
- 100 Watts

### DIMENSIONS

- Projector body - 3" x 3"
- Width (diameter of artwork disk) - 7"
- Overall length (varies with lens) - 14.70" to 17"
- Height with yoke mounted at bottom position and 7" disk - 12.95"
- Power supply - 9" x 4.5" x 6"



### MOUNTING

Yoke has 33/64" dia. hole for bolting down with 1/2" bolt, mounting to a stand, or for attaching a theatrical "C" clamp. Yoke will freely swing from under projector around back to above projector. It can be locked down in any position along its travel for positioning and aiming adjustment.

### ARTWORK MEDIA OPTIONS

Disk drive; dual disk drives; triple disk drive; color media holders including 35MM slides, static mask, artwork or gobo holders (gobos are standard M size); diffusion disks or plates; color wheels; mirror balls and drums; panning mirrors; doublers and dimmers, etc. Custom design for your application by you, or by us. Disk drives can be rim driven, center driven and of varying diameters. They may be constant on, indexed, synchronized, variable speed, and/or reversible.

### DESIGN SERVICES

RLH Enterprises offers expert consulting and design services on the best use of your projectors, and production of your artwork. RLH Enterprises offers complete effects services for your projects. Request full information.

