

SPECIAL EFFECTS LECO SYSTEM PROJECTION ATTACHMENT

**WITH 18.25" ARTWORK DISK DRIVE FOR
ETC SOURCE FOUR ELLIPSOIDAL SPOTLIGHT**

An inexpensive way to achieve many of the effects regularly done in the traditional special effects projection formats. This projector is suitable for artwork that can withstand the gate temperature of the source four ellipsoidal, the coolest "leco" on the market today.



20,000 light years from home stars, planets, and nebulae appear in dazzling brightness as comets streak past and asteroids tumble by. Or, 20,000 leagues below, schools of fish swim past erupting volcanic vents as bubbles rise towards the surface. A sunset develops and unfolds. Clouds slowly scud across the face of a mysterious moon. Ghosts rise into thin air from the graveyard or witch's cauldron. Much more is possible than just the traditional rain, clouds, and fire. Images are limited only by your imagination.

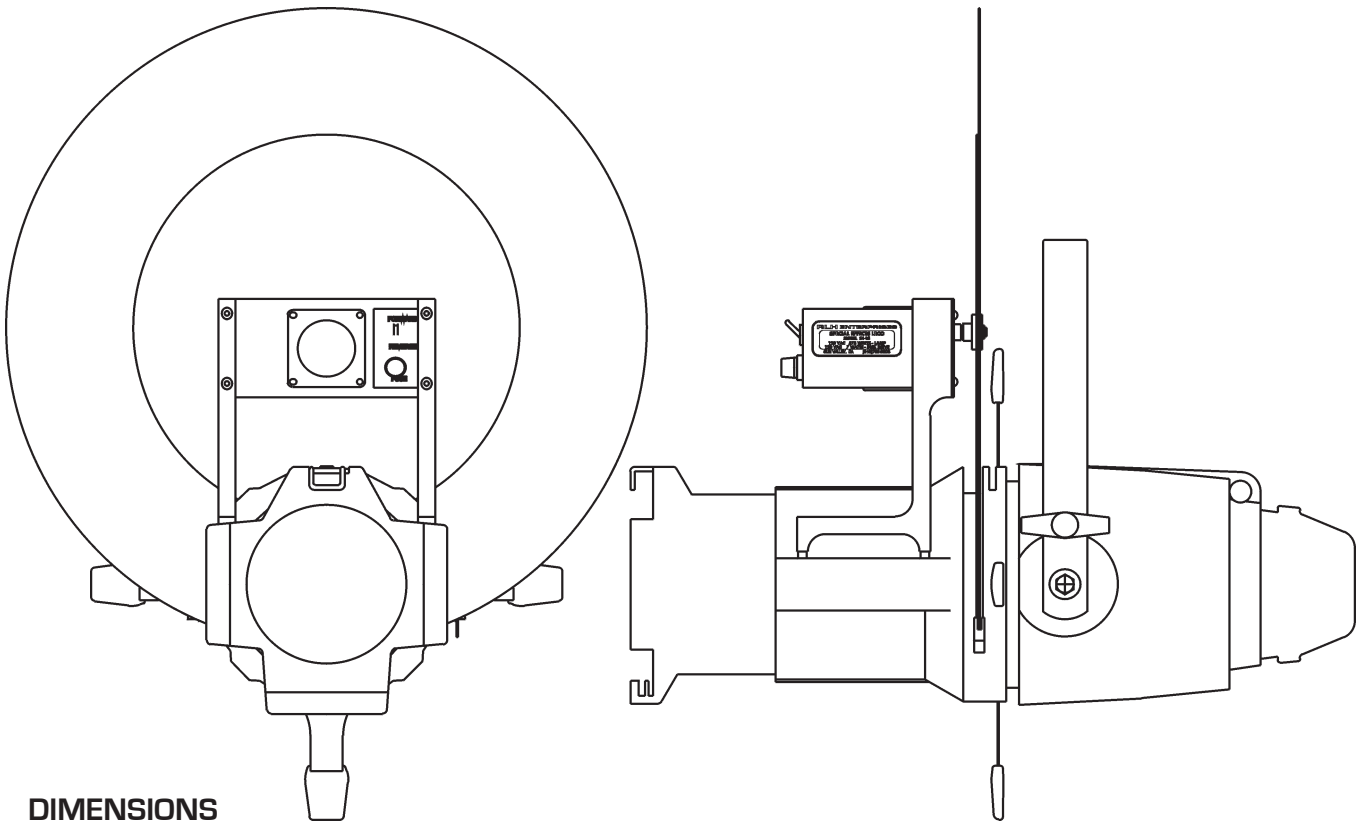
For theme parks, museums, zoos, aquariums, science centers, galleries, visitor centers, exhibits, expos, restaurants, themed retail, promotional projects, attractions - any themed environment where projected effects help deliver the message or tell the story.

SPECIFICATIONS

MODEL: S4-18 CONSTANT SPEED OPTION SHOWN

FEATURES AND BENEFITS

- Single disk drive, available in variable or constant speed. Forward & reverse
- Order artwork disks and pattern gobos from RLH Enterprises or use your own.
- Adjust the direction of effect movement by rotating the lens barrel
- Modifications to the ETC Ellipsoidal are reinforced and rugged for heavy duty use.
- A large 18 1/4" disk diameter for less curvature of the projected effect. Images move across the projection surface in a straighter, less curved path.
- Disk slip clutch protects motor.
- Normal use of the ellipsoid's shutters and pattern (gobo) slot is maintained.
- Comprehensive operations and maintenance manual. One year limited warranty, parts & labor.



DIMENSIONS

The overall unit, including the ellipsoidal is:

21" long with the lens full retracted, as shown above.

23 1/4" high, from the top of the 18" disk to the end of extended bottom shutter, as shown.

18 1/4" wide (width of the disk).

The entire unit, with ellipsoidal, weighs 24 lbs.

POWER AND CONTROL

Disk drive: 117 VAC 50/60Hz. 10 Watts, fused. Constant or variable speed.

Standard ETC lamps: a number of wattages and color temperatures are available.

Indexed disk to interface with show control is an option.

DESIGN SERVICES

RLH Enterprises offers expert consulting and design services on the best use of your projectors, and production of your artwork.

RLH ENTERPRISES

Offers complete special effects services for your projects. Request full information.